

INDUSTRIAL DIESEL ENGINE

KUBOTA V3 SERIES (4-cylinder)

# V3800-CR-TE4

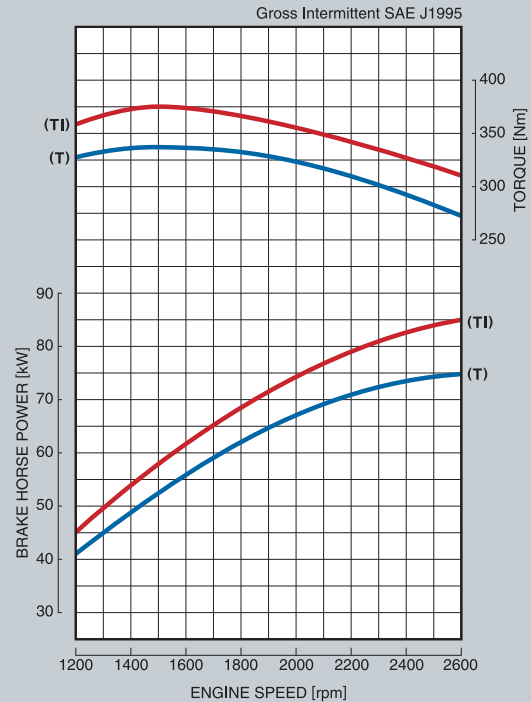
## RATED POWER

- 74.5kW @ 2600rpm(T)
- 85.0kW @ 2600rpm(TI)



Photographs may show non-standard equipment.

## PERFORMANCE CURVE



## FEATURES and BENEFITS

### Proven Reliability and New Technology

The latest technology and a strong performance – two things customers expect from Kubota engines. We continue to provide both by seeking excellence in three key areas: emission compliance, new strides in fully electronic controlled engines, and flexibility in products and services to customers worldwide.

### Emission Compliance

Meeting rigid emission regulations can be a challenge for any company. At Kubota, our V3 Series engines have been designed to comply with the most stringent regulations: The EPA Interim Tier4 and the EU Stage IIIB. In addition, innovative emission solutions, such as an aftertreatment device, have also been integrated into the V3 Series engines.

### Clean and Quiet Power

The Common Rail System has made it possible to optimize combustion and create a more durable, quiet, and improved fuel-economy engine. By meticulously screening and controlling the exhaust gas aftertreatment components, Diesel Oxidation Catalyst (DOC) and Diesel Particulate Filter (DPF), we offer a cleaner high-performance engine.

### Flexibility

When working with customers in different countries and with different engine needs, flexibility is a must. Since Kubota V3 Series engines have evolved step-by-step to meet every EPA Tier, we provide the appropriate emission regulation certified engine to any customers worldwide. Added to that, we have designed aftertreatment device with minimum package impact for easy installation.

### Trust

The Kubota V3 Series is the best solution for your company's global marketing strategy. We continuously strive to meet your needs with the experience and expertise you expect and deserve.

# KUBOTA V3 SERIES V3800-CR-TE4

## GENERAL SPECIFICATION

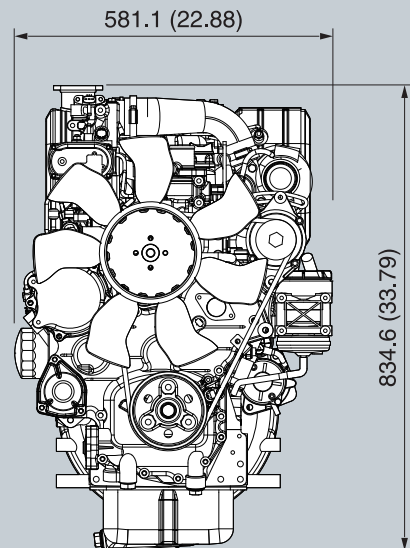
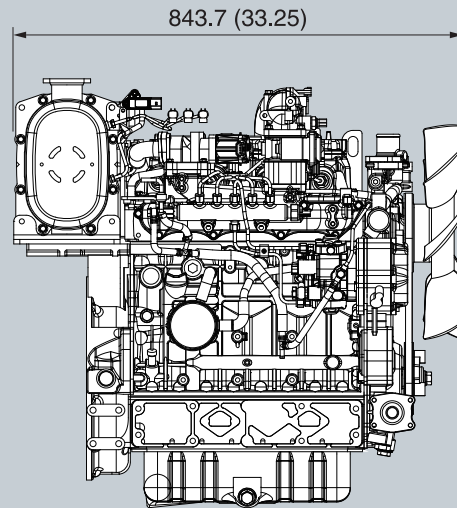
Model		V3800-CR-T(TI)E4	
Emission Regulation		Interim. Tier4 / Stage III B	
Type		Vertical 4-cycle liquid cooled Diesel	
Number of Cylinders		4	
Bore	mm (in)	100 (3.94)	
Stroke	mm (in)	120 (4.72)	
Displacement	L (cu.in)	3.769 (230.0)	
Combustion System		DI	
Intake System		Turbo Charged	
Maximum Speed	rpm	2600	
Output: Gross Intermittent	kW	74.5 (T)	85.0 (TI)
	hp	99.9 (T)	114.0 (TI)
	ps	101.3 (T)	115.6 (TI)
Direction of Rotation		Counter clockwise Viewed on Flywheel	
Length	mm (in)	843.7 (33.25)	
Width	mm (in)	581.1 (22.88)	
Height	mm (in)	834.6 (33.79)	
Dry Weight	kg (lb)	345 (760.6)	

\*Specification is subject to change without notice.

\*Output: Gross Intermittent SAE J1995

\*Dry weight is according to Kubota's standard specification. When specification varies, the weight will vary accordingly.

## DIMENSIONS



**KUBOTA ENGINE AMERICA**  
 505 Scheller Road Lincolnshire, IL 60069  
 Phone: 847-955-2500 Fax: 847-955-2501  
[www.kubotaengine.com](http://www.kubotaengine.com)

**KUBOTA CANADA, LTD**  
 5900 14th Avenue, Markham, Ontario L3S 4K4  
 Phone: 905-294-7477 Fax: 905-294-1554